



63332

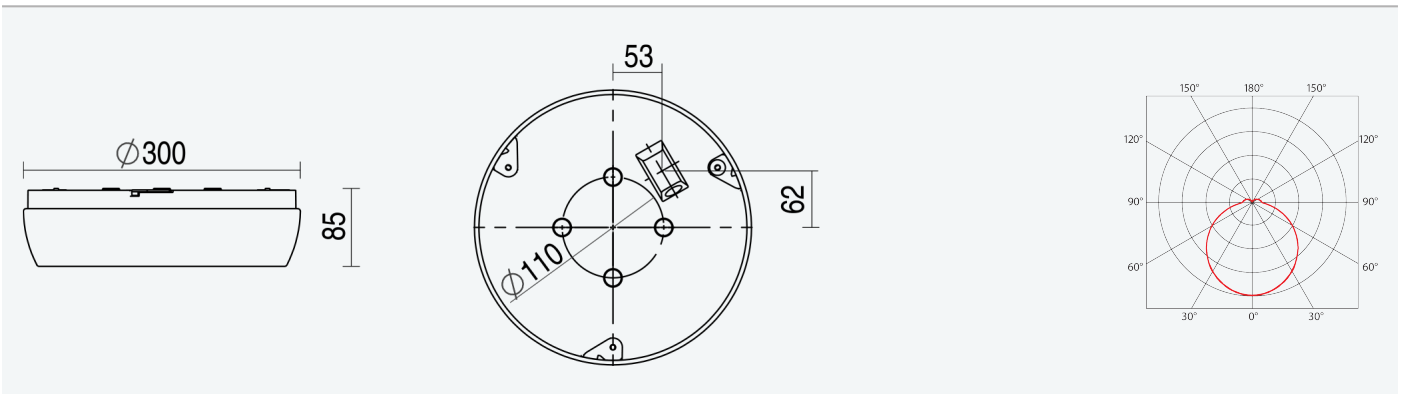
LINEA ROUND SNS 3600/840 COR

8590515633326



- Degree of protection: IP54
- Ambient temperature: -25–30 °C
- Impact strength: IK10
- Life time: 50000 hours
- System efficacy: 122 lm/W
- Colour rendering index CRI: 80-89, 4000–4000 K
- Chromaticity tolerance (initial MacAdam): SDCM3
- Cable glands: rubber
- Protection class: I
- Max. number of luminaires per circuit breaker B16: 32
- Max. number of luminaires per circuit breaker C16: 53
- Flickering value Pst LM: 1
- Power factor: 0,95
- Stroboscope effect value SVM: 0,4
- Total harmonic distortion: 8
- Energy efficiency class of the light source: D

- Body: White polycarbonate (PC, RAL 9003), UV stable, impact resistant
- Diffuser: Translucent polycarbonate (PC), UV stable, impact resistant
- Reflector: Steel sheet, white (RAL 9003)
- Clips: Rotary cap (polyamide + 10 % fibreglass)
- Sealing: Polyurethane (PUR), foam-filled base groove
- Connection: Screwless three-pole terminal block
- Surface-mount, plastic indoor light fitting for installation onto the ceiling or wall in public or non-public areas
- Opal diffuser made of highly permeable, translucent polycarbonate
- Digitally dimmable DALI driver with corridor function, microwave motion sensor



Code	Type	Ta Max.: [°C]	Luminous flux of LED modules [lm]	Luminous flux of light fitting: [lm]	Power consumption: [W]	System efficacy: [lm/W]	Net weight: [kg]
63332	LINEA ROUND SNS 3600/840 COR	30	3560	2810	23,1	122	1,2

The values stated for power consumption and luminous flux are in a tolerance of ± 7.5 %

FEATURES



CERTIFICATION



DOWNLOAD

- [INSTALLATION MANUAL](#)
- [DATA SHEET](#)
- [CE](#)
- [LDT DATA](#)



63332

LINEA ROUND SNS 3600/840 COR

8590515633326

