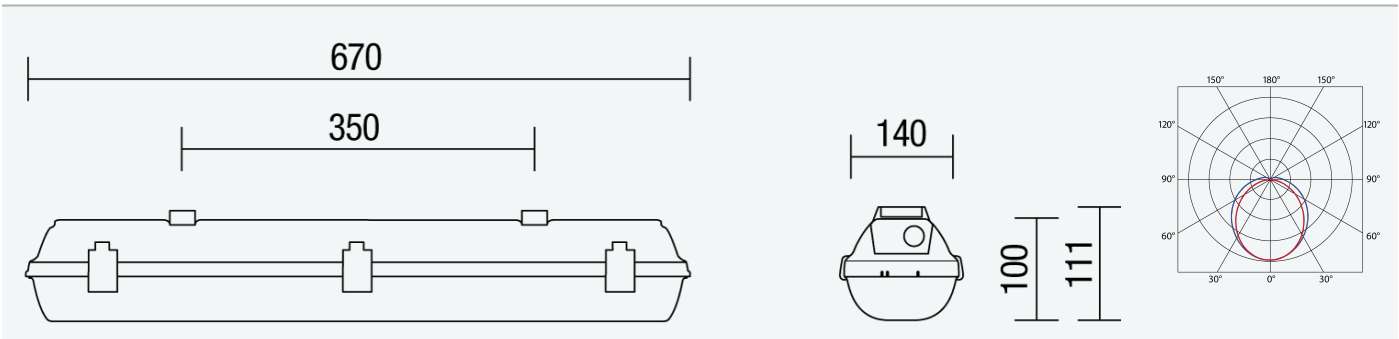




- Degree of protection: IP66
- Ambient temperature: 5–50 °C
- Impact strength: IK10
- Life time: 50000 hours
- Cable glands: M20X1,5, ATEX thread
- Protection class: I
- Energy efficiency class of the light source: C

- Body: Grey PC (high mechanical resistance, UV stability, RAL 7035)
- Diffuser: Translucent PC (high mechanical resistance, UV stability)
- Reflector: Steel sheet, white (RAL 9003)
- Clips: Stainless steel + polyamide
- Sealing: Polyurethane (PUR), foam-filled base groove
- Connection: Screwless five-pole terminal block
- Light fitting certified for environments with potentially explosive atmospheres created by gas, dust or flammable vapours, group II, category 3 (zone 2/22)
- For use in potentially explosive environments. For definition, see the assembly manual and certificate
- Optimal mounting height: 3 to 8 m
- Emergency back-up power supply with autotest and 3 hour runtime
- Emergency back-up power supply for temporary emergency lighting, connected to L3 (lum. flux 440lm)



Code	Type	Luminous flux of LED modules [lm]	Luminous flux of light fitting: [lm]	Power consumption: [W]	Net weight: [kg]
111406	PRIMA LED Ex 1.2ft PCc NM3hAt	500	440	2,0	1,8

The values stated for power consumption and luminous flux are in a tolerance of ± 7.5 %

FEATURES

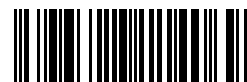


CERTIFICATION



DOWNLOAD





111406

PRIMA LED Ex 1.2ft PCc NM3hAt

8596328114069

